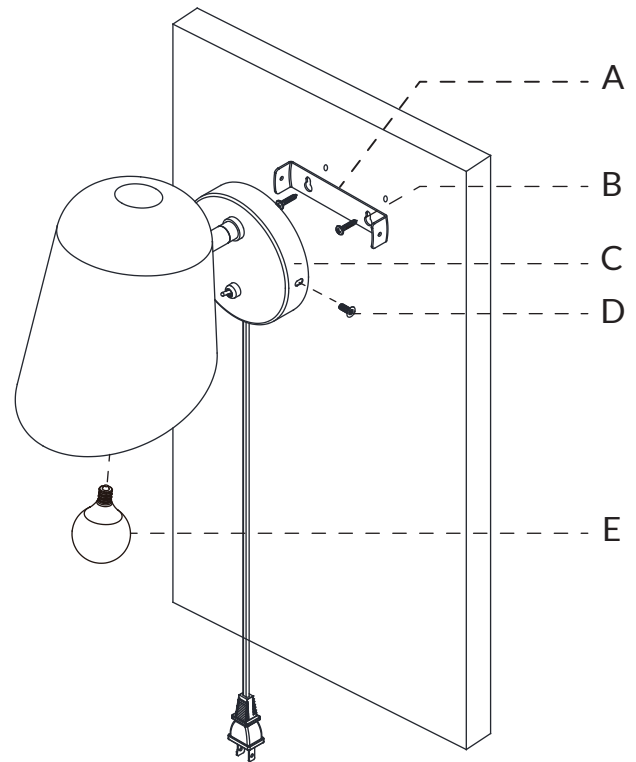


# ASSEMBLY INSTRUCTIONS

## CULVER WALL SCONCE

3011589BB, 3011589BL, 3011589MB, 3011589R, 3011589SN

1. Carefully remove all parts from the carton and place them on a clean surface. Please refer to the below list of components included inside the carton.
2. Decide on sconce placement. Ideal placement will depend on the function of your light and the placement in the room.
3. Mark drill holes for the mounting plate (A).
4. Place mounting plate (A) over drill markings, drill into the wall and screw with fasteners (B) in mounting plate (A).
5. Install back plate (C) on the mounting plate (B) using screw (D).
6. Insert the bulb (E) provided.  
(Bulb: 6W E12 2700K Flicker-free, Dimmable LED).
7. Plug into a surge protected 110v outlet
8. Enjoy the beautiful light!



ITEMS INCLUDED / ARTICULOS INCLUIDOS				
A	B	C	D	E
MOUNTING PLATE PLACA DE MONTAJE	FASTENERS SUJETADORES	BACK PLATE PLACA TRASERA	SCREW TORNILLO	BULB BOMBILLA

For a step by step assembly video, please go to [www.novaofcalifornia.com](http://www.novaofcalifornia.com)

### IMPORTANT SAFETY INSTRUCTIONS

This lamp has a polarized plug (one blade is wider than the other) as a safety feature to reduce the risk of electric shock. This plug will fit in a polarized outlet only one way. If the plug does not fit fully in the outlet, reverse the plug. If it still does not fit, contact a qualified electrician. Never use with an extension cord unless the plug can be fully inserted. Do not alter the plug.

### IMPORTANTES INSTRUCCIONES DE SEGURIDAD

Esta lampara tiene un enchufe polarizado (una navaja es mas ancha que la otra) como forma de seguridad para reducir el riesgo de un shock electrico. Este enchufe polarizado entrara en una conexión solo de un lado. Si el enchufe no entra en la conexión trate al reverso. Si aun asi no entra, contacte a un electricista calificado. Nunca use una extension a menos que el enchufe pueda ser conectado completamente. No altere el enchufe.